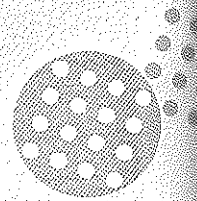


Power contacts 8291



Contacts

TRIM TRIO Connectors also offer possibilities to use or combine power contacts with the standard size 16 signal contacts into the same housing. It offers customers to reduce the number of connectors when combining signal and high current applications into 1 connector.

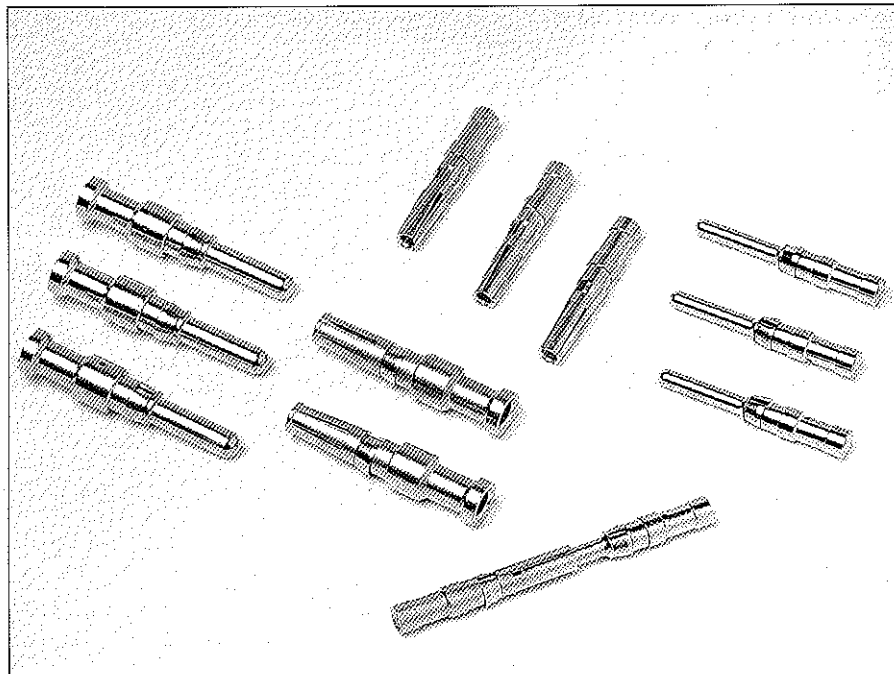
The signal cavities accept the full range of TRIM TRIO size 16 contacts for applications up till 13 A.

Power cavities will either accept:

- Size 12 contacts for applications up till 26 A
- Size 8 contacts for applications up till 44 A

Pin and Socket contacts are solid machined crimp snap-in and sockets for heavy duty top performance requirements

Springs on both contacts are made of spring tempered, heat-treated, beryllium copper.



Construction

Contact body : High conductive copper alloy

Outer spring : Tempered, heat-treated, non plated beryllium copper.

Plating

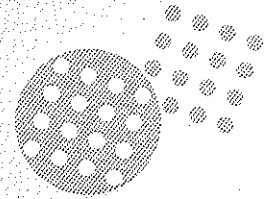
K = 0.4m Gold mini all over, over Nickel

A = 3μ Silver all over

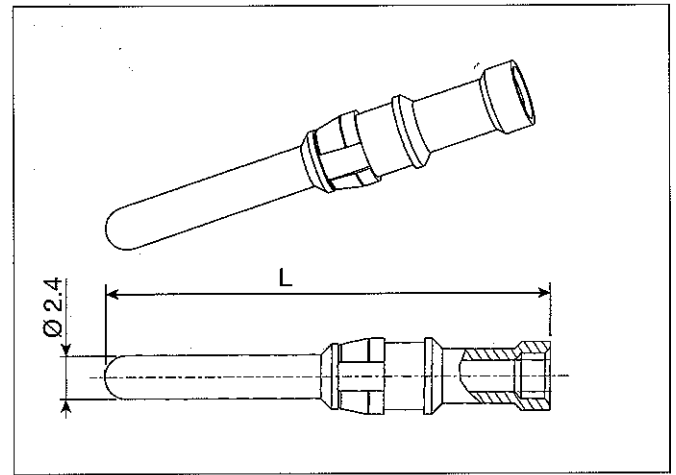
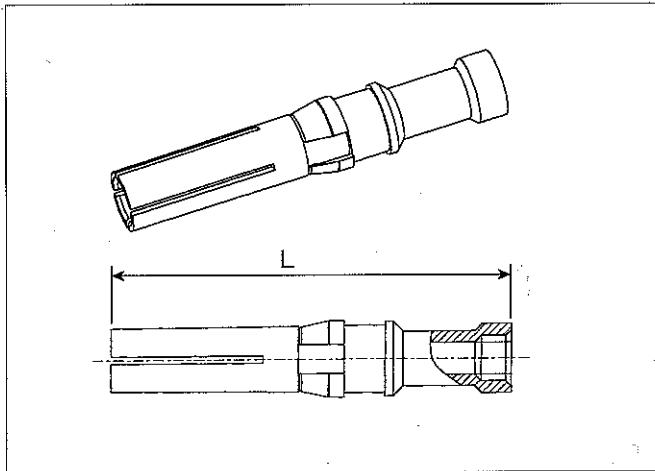
Performance characteristics

| | Contacts # 12 (Ø 2,4) | Contacts # 8 (Ø 3,6) |
|----------------------|-----------------------|----------------------|
| Current rating : | 26 A | 44 A |
| Contact resistance : | ≤ 5 mΩ | ≤ 5 mΩ |

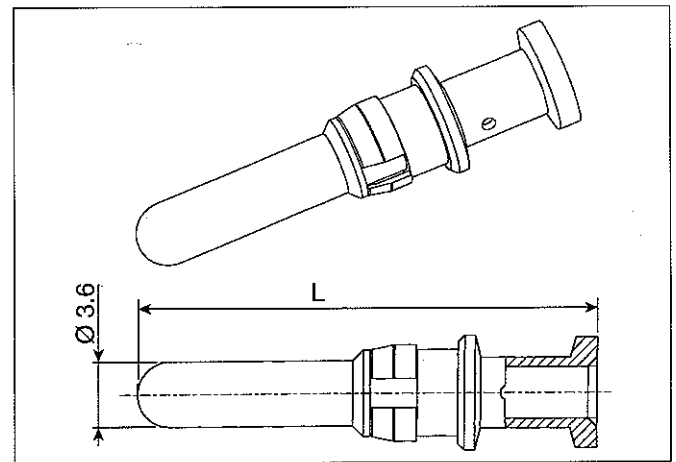
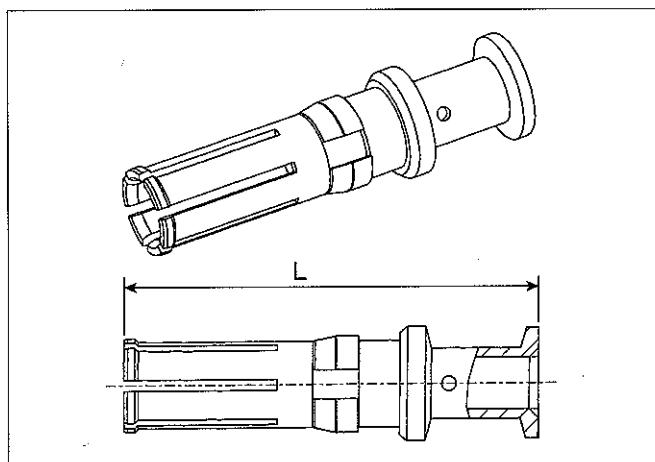
Power contacts 8291



Contacts # 12 (2.4 mm)



Contacts # 8 (3.6 mm)



How to order

| Part number | | Contact size | Contact diameter | Cable | | Insulator diameter | Locator | Extraction tooling | |
|-------------|------------|--------------|------------------|-----------------|-------|--------------------|-------------------------------|--------------------|-------------|
| Pin | Socket | | | Section | | | | | |
| | | | | mm ² | AWG | | | | |
| | | mm | mm ² | AWG | mm | | | | |
| 82911437NA | 82911436A | # 12 | 2.4 | 0.5 | 20 | 4.9 | M317 | VGE10077A | 51060210924 |
| 82911435NA | 82911434A | | | 0.75-1.0 | 18 | | | | |
| 82911463NA | 82911462A | | | 1.5 | 16 | | | | |
| 82911465NA | 82911464A | | | 2.5 | 14 | | | | |
| 82911437NK | 82911436K | # 12 | 2.4 | 0.5 | 20 | 4.9 | M317 | VGE10077A | 51060210924 |
| 82911435NK | 82911434K | | | 0.75-1.0 | 18 | | | | |
| 82911463NK | 82911462K | | | 1.50 | 16 | | | | |
| 82911465NK | 82911464K | | | 2.5 | 14 | | | | |
| 82913601A | 82913600A | # 8 | 3.6 | 1.5 | 16 | 6.5 | M317 | VGE10078A | 51060210936 |
| 82913603A | 82913602A | | | 2.5 | 14 | | | | |
| 82913605A | 82913604A | | | 4 | 12 | | | | |
| 82913607A | 82913606A | | | 6 | 10 | | | | |
| 82913609A | 82913608A | | | 10 | 8 | | | | |
| RM12Z43D28 | RC12Z43D28 | 12 | 2.4 | 10-4 | 8-12 | N/A | NO TOOL REQUIRED | | |
| 82911685NZX | 82911684ZX | 8 | 3.6 | 4-25 | 12-14 | N/A | SOLDER CUP - NO TOOL REQUIRED | | |